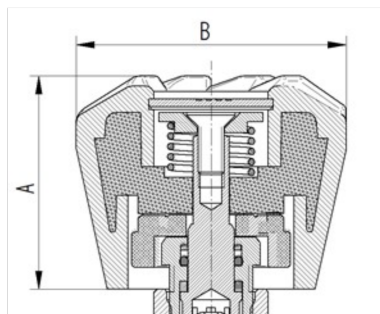


## Ratchet handwheel type "Lift-To-Close"

# K17-2.11.146-Sx / K17-2.11.179-Sx



### situation

In a rescue mission it might happen that a fireman has to go through narrow spaces e.g. in a building and eventually he has to walk close along a wall.

By that means the handwheel could close off the respiratory flow unintentionally.

### general information

product area	AIRcontrol
product characteristic	protection against unintentional closing
protection through	ratchet mechanism (only allows movement in ONE direction while preventing motion in the other direction)
mode of operation	<ul style="list-style-type: none"> <li>• to open, turn handwheel counterclockwise</li> <li>• to close, lift handwheel and then turn clockwise (3-4 Nm). The lifting suspends the ratchet mechanism (only for the period of lifting)</li> </ul>
suitable for	(upper spindle with female thread) <ul style="list-style-type: none"> <li>• short version: AIRcontrol valve series K44 and K632-3x</li> <li>• long version: AIRcontrol valve series K632-4x, K632-6x and K632-9x</li> </ul>
weight	approx. 55 g
options	various colour options (standard colours: black RAL 9004, blue RAL 5017, grey RAL

### dimensions

A	<ul style="list-style-type: none"> <li>• short version: approx. 32 mm</li> <li>• long version: approx. 41 mm</li> </ul>
B	ø approx. 52 mm

### material

metals	<ul style="list-style-type: none"> <li>• pressure spring: steel</li> <li>• spring cup: brass</li> <li>• counter sunk screw: steel (NiRo)</li> </ul>
polymers	<ul style="list-style-type: none"> <li>• jacket: TPU, flame resistant acc. to UL94 V0</li> <li>• core: PA66, flame resistant</li> <li>• ratchet ring: PA6, flame resistant</li> <li>• handwheel disc: ABS acc. to UL94 V0</li> </ul>