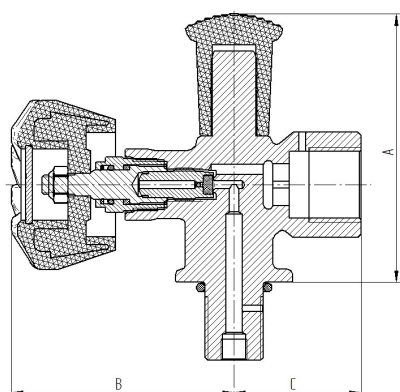


Cross-flow (T) valve

K632-4x



general information

product area	AIRcontrol
application	breathing protection
geometry	handwheel in line with outlet connection and in right angle to inlet connection

technical data

gas type	compressed air
inlet connection	M18x1.5, E17con, M25x2 (acc. to EN144-1:2005) others on request
outlet connection	G5/8" RH fem. (acc. to EN144-2:2005) others on request
working pressure	200 / 300 bar
nominal diameter (valve seat)	2.5 mm
sealing system	K36
operating conditions	working temperature: -20 °C to +60 °C storage temperature: -40 °C to +65 °C
KV value	0.17 m ³ /h (may vary by attachment part)
weight	approx. 550 g
maintenance / service life	inspect at regular intervals (e.g. as part of the cylinder recertification) and service or replace depending on the inspection results
operation	standard: handwheel TPU, flame resistant various colour options available (standard colours: black, blue, grey) handwheels for protection against unintentional closing: • ratchet handwheel • Push-Button

dimensions

A	approx. 82 mm
B	approx. 67 mm
C	approx. 39 mm

materials

metals	valve body: brass
polymers	handwheel: TPU, flame resistant o-rings: EPDM

optional accessories

for the outlet connection	closing plug 200 / 300 bar
for the inlet connection	• protection tube • sinterfilter • EFV - Excess Flow Valve
others	• bursting device (for 200 / 300 bar cylinder working pressure) • shock absorber

certification & approval

- type approval certificate BAM-TPED-2021/015
- authorisation certificate BAM-TPED-beP (2011/001) acc. with directive 2010/35/EU in conjunction with subsection 1.8.7.6 RID/ADR