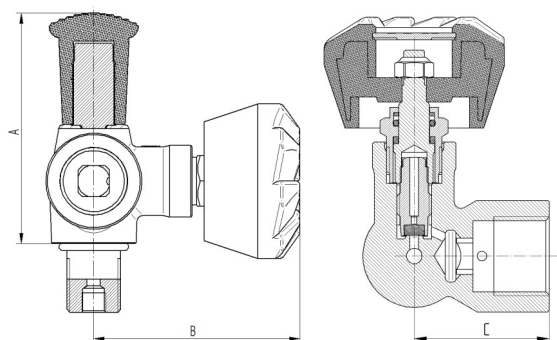


## Right angled (RA) valve

# K632-9x



### general information

product area	AIRcontrol
application	breathing protection
geometry	handwheel in right angle to outlet and inlet connection

### technical data

gas type	compressed air
inlet connection	M18x1.5, E17con (acc. to EN144-1:2005) others on request
outlet connection	G5/8" RH fem. (acc. to EN144-2:2005) others on request
working pressure	200 / 300 bar
nominal diameter (valve seat)	2.5 mm
sealing system	K36
operating conditions	working temperature: -20 °C to +65 °C storage temperature: -40 °C to +65 °C
KV value	0.17 m <sup>3</sup> /h (may vary by attachment part)
weight	approx. 520 g
maintenance / service life	inspect at regular intervals (e.g. as part of the cylinder recertification) and service or replace depending on the inspection results
operation	standard: handwheel TPU, flame resistant various colour options available (standard colours: black, blue, grey) handwheels for protection against unintentional closing: • ratchet handwheel • Push-Button

### dimensions

A	approx. 72 mm
B	approx. 69 mm
C	approx. 39 mm

### materials

metals	valve body: brass
polymers	handwheel: TPU, flame resistant o-rings: EPDM

### optional accessories

for the outlet connection	closing plug 200 / 300 bar
for the inlet connection	• protection tube • sinterfilter • EFV - Excess Flow Valve
others	• bursting device (for 200 / 300 bar cylinder working pressure) • shock absorber

### certification & approval

- type approval certificate BAM-TPED-2021/015
- authorisation certificate BAM-TPED-beP (2011/001) acc. with directive 2010/35/EU in conjunction with subsection 1.8.7.6 RID/ADR