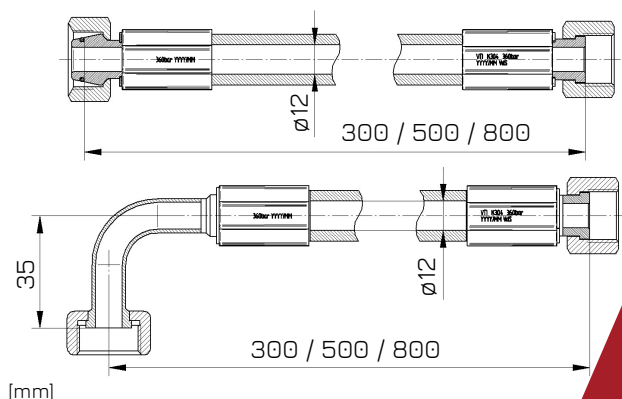


Discharge Hose

K304



General Information

Product Area	FIREcontrol
Application	Flexible connection of cylinder valve or pressure regulator with check valve or manifold
Version	Straight or 90° inlet

Technical Data

Extinguishing Type	<ul style="list-style-type: none"> • IG 01 (Argon) • IG 55 (Argon, Nitrogen) • IG 100 (Nitrogen) • IG 541 (Argon, Nitrogen, CO₂) • CO₂
Inlet Port	DN12 hose: <ul style="list-style-type: none"> • W21.8 x 1/14" [DIN 477 no. 6] • W24.32 x 1/14" [DIN 477 no. 10] • M24 x 1.5 (ISO 8434-1) • M24 x 1.5 flat sealing
Outlet Port	DN12 hose: <ul style="list-style-type: none"> • G3/4" flat sealing • M24 x 1.5 (ISO 8434-1)
Min. Bending Radius	DN12 hose: 60 mm
Working Pressure	300 bar @ 15 °C (max. 360 bar)
Working Temperatur	-20 °C to +50 °C

Materials

Metals	Galvanized steel Double wire mesh
Plastics	Synthetic rubber DURA-Tuff cover

Certification & Approval



• CE 0786 according to CPR (VdS)

Example of use

